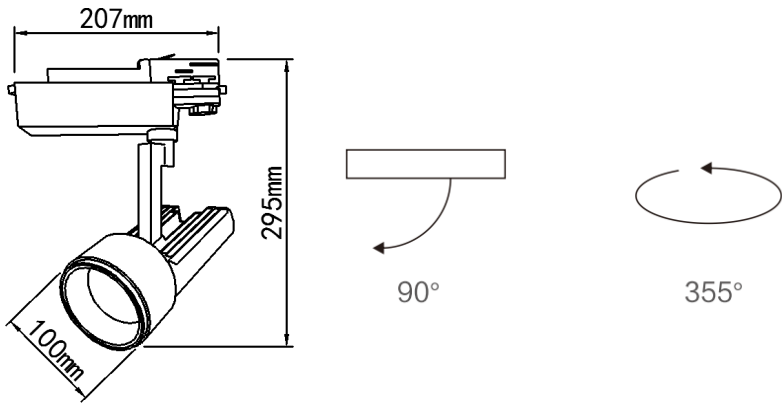


LED Track Light TR1701

LOW-CARBON LIGHTING

Drawings:



| Model | Watt | Lumen | COB | Bean angle | PF |
|--------|------|--------|------|------------|-----|
| TR1701 | 35W | 3200lm | CREE | 24° | 0.9 |

Features:

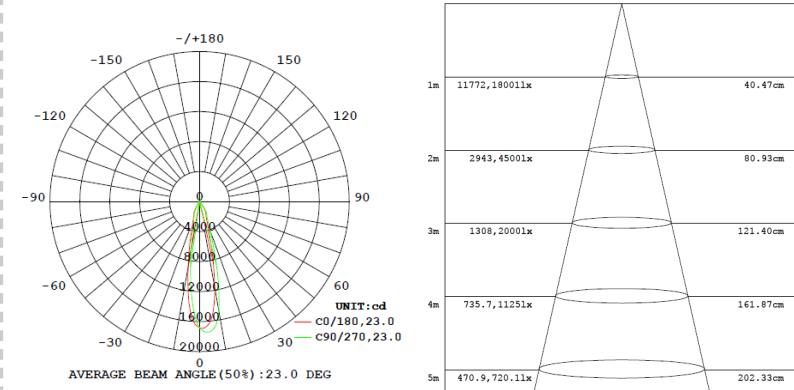
- Die-casting heat sink,
- Color temperature: 3000K,4000K,5000K,
- Direct connect to a AC220-240V (50~60Hz) supply
- Type of protection: IP20 (room side)
- Lifetime :L80/B80 up to 50,000 hrs

- Driver: Philips
- LED: CREE/Citizen;Ra80/90
- 5 years warranty

Application:

- Super market Lighting
- office Lighting
- Commercial Lighting

Light distribution curves



LOW-CARBON LIGHTING
 WEB: WWW.LOWCARBONLUX.COM
 MAIL: SALES@LOWCARBON-LED.COM