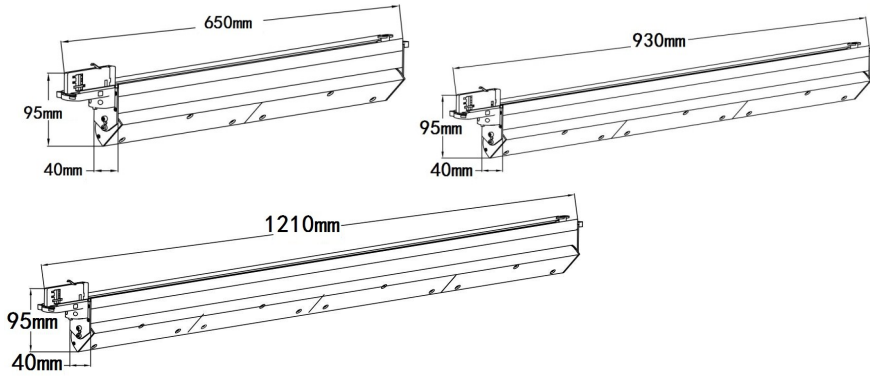


LED Track linear Light LL1603

LOW-CARBON LIGHTING

Drawings:



Model	Watt	Lumen	LED Qty	Length	PF
LL1603	30W	3900lm	60pcs	650mm	>0.9
LL1603	50W	6500lm	90pcs	930mm	>0.9
LL1603	70W	9100lm	120pcs	1210mm	>0.9

Features:

- 3 phase ,UGR<19
- Color temperature: 3000K,4000K,6500K,
- Direct connect to a AC220-240V (50~60Hz) supply,
- Customized length and watts,
- Lifetime :L70 up to 35,000 hrs
- Install mixture with track light and emergency sign light etc
- Driver:Tridonic /VS driver
- LED:3030 SMD Chip,Ra80,Ra90
- 5 years warranty
- **Application:**
- Super market Lighting
- office Lighting
- Commercial Lighting
- Library Lighting
- Showroom Lighting



Light distribution curves

